

8MP Dual Light
Fixed-focal Turret Network Camera

LXIP1182WE-28MDA



Key Features

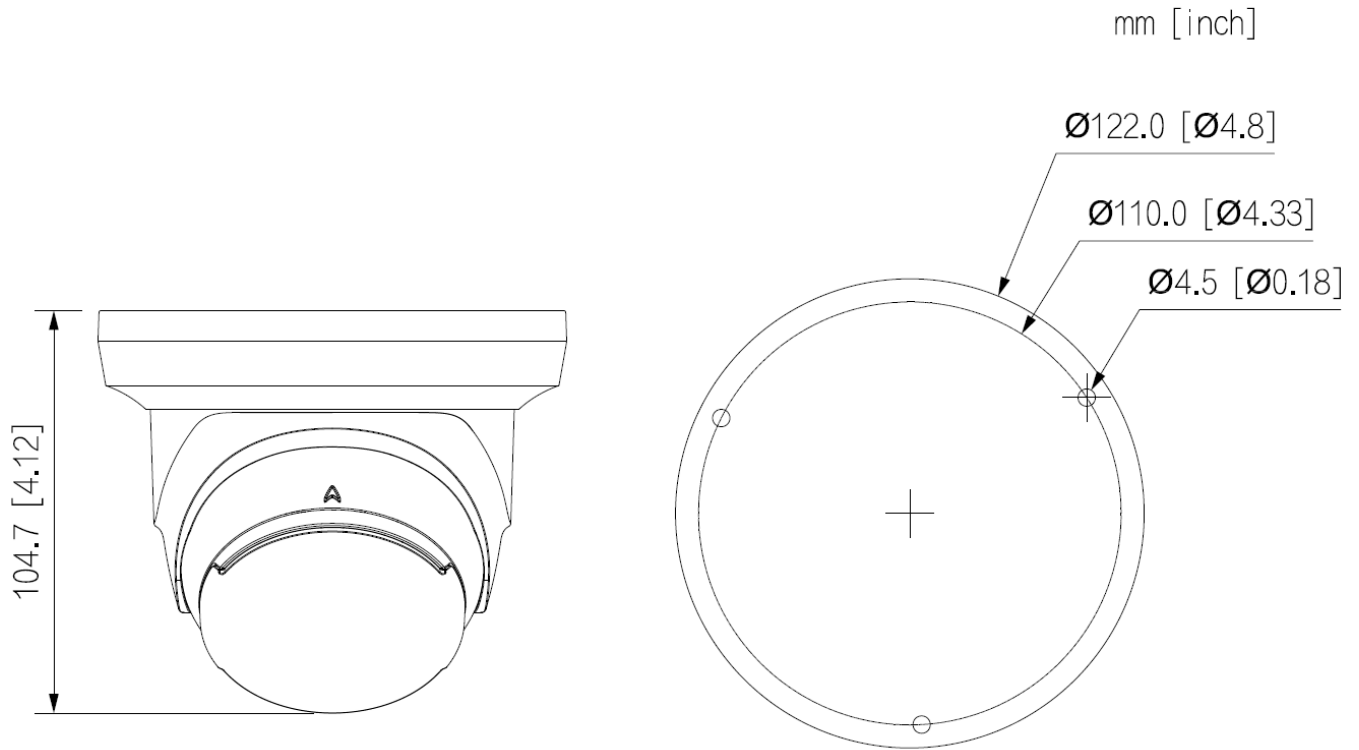
- Outputs max. 8 MP (3840 × 2160) @20 fps
- 1/2.8" Starlight CMOS image sensor
- Min. Illumination 0.008 Lux @ F1.6 (Color, 30 IRE), 0 Lux with illuminator on
- Built-in IR LED & warm light LED, Matrix illuminator distance up to 98ft
- Smart encoding H.265/H.264
- 120dB True WDR, 3D DNR, HLC, BLC
- Intelligent Motion Detection focus on human & vehicle
- Smart Perimeter protection by AI algorithm
- Built in MIC
- Built-in Micro SD card slot, up to 256 GB
- 12V DC/PoE power supply
- IP67 protection

Specification

Camera	
Image Sensor	1/2.8" 8Megapixel progressive CMOS
Min. Illumination	0.008 Lux@F1.6 (Color, 30 IRE), 0.0008 Lux@F1.6 (B/W, 30 IRE), 0 Lux with illuminator on
Shutter	Auto/Manual 1/3 s - 1/100,000 s
S/N Ratio	> 50 dB
Noise Reduction	3D NR
Wide Dynamic Range	120 dB
Day & Night	Auto(ICR)/Color/B/W
Angle Adjustment	Pan: 0°-360°, Tilt: 0°-78°, Rotation: 0°-360°
Lens Type	Fixed-focal 2.8mm@F1.6
Iris Type	Fixed
Field of View	Horizontal: 111°, Vertical: 58°, Diagonal: 132°
Close Focus Range	1.5 m (4.92 ft)
DORI	Detect: 58.2m(190.94ft), Observe: 23.3 m(76.44ft), Recognize: 11.6 m(38.06ft), Identify: 5.8 m(19.03ft)
Illuminator	2 (IR LED), 1 (warm light), Support Smart Dual Light
Illumination Range	IR: Up to 30 m (98 ft) , Warm light: Up to 30 m (98 ft)
Illuminator Control	Auto/Manual/off
Video	
Video Compression	H.265; H.264; MJPEG (Only supported by the sub stream)
Smart Codec	Supported
Resolution	8M (3840 × 2160), 6M (3072 × 2048), 5M (3072 × 1728/ 2880*1620), 4M (2688 × 1520), 3M (2304 × 1296/2048 × 1536), 1080p (1920 × 1080), 1.3M (1280 × 960), 720p (1280 × 720), D1 (704 × 576/ 704 × 480), VGA (640 × 480), CIF (352 × 288/352 × 240)
Video Frame Rate	Main stream: 3840 × 2160 @ (1 fps- 20 fps) Sub stream: 704 × 576 @ (1 fps- 25 fps), 704 × 480 @ (1 fps- 30 fps)
Video Stream	2 streams
Bit Rate Control	CBR, VBR
Video Bit Rate	H.264: 32 kbps - 8192 kbps H.265: 12 kbps - 8192 kbps
ROI	Supported (4 areas)
Image Rotation	0°/90°/180°/270° (Support 90°/270° with 2688 × 1520 resolution and lower.)
Mirror	Supported
Privacy Mask	Supported (4 areas)
Audio	
Built-in MIC	Yes
Audio Compression	PCM, G.711a, G.711Mu,
Intelligent Analysis	
VCA (Perimeter Protection)	Intrusion, tripwire (the two functions support the classification and accurate detection of vehicle and human)
Event	
Alarm Event	No SD card, SD card full, SD card error, network disconnection, IP conflict, illegal access, motion detection, video tampering, voltage detection, security exception, tripwire, intrusion, scene changing, audio detection, IMD
Network	
Protocol	IPv4, IPv6, HTTP, TCP, UDP, ARP, RTP,RTSP, RTMP, FTP, SFTP ,NAS, DHCP,DNS DDNS, QoS, UPnP, NTP , NFS, PPPoE, SMTP, 802.1x
Interoperability	ONVIF (Profile S & Profile G & Profile T); CGI
Storage	FTP, SFTP, Micro SD card (support max. 256 GB), NAS

Web Browser	Chrome, Firefox
Client	Pro-X
Interface	
Network port	RJ-45 (10/100 Base-T)
General	
Power	12V DC/PoE (802.3af)
Power Consumption	12 VDC: Max 8.4W, Typical 3.2W / PoE: Max 9.8W, Typical 4.3W
Housing	Inner core: Metal, Cover: Metal, Decoration ring: Plastic
Dimensions	Φ 122.0mm × 104.7mm (Φ 4.80" × 4.12")
Operating Conditions	-40°C to +60°C (-40°F to +140°F)/less than 95% RH
Storage Conditions	-40°C to +60°C (-40°F to +140°F)
Protection Grade	IP67
Net Weight	0.51 kg (1.1 lb)
Gross Weight	0.65 kg (1.4 lb)
Certification	FCC

Dimensions (mm[inch])



Accessories

<p>LXJB02 Junction Box</p>	<p>LXWM01 Wall Mount</p>	<p>LXWM01 + LXPM01 Pole Mount(Vertical)</p>	<p>LXKPD01 Pendant Mount</p>
			